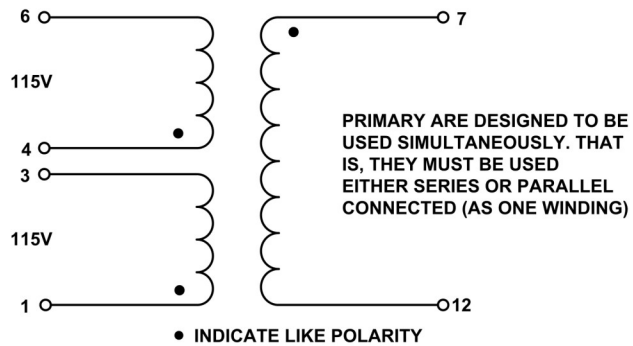
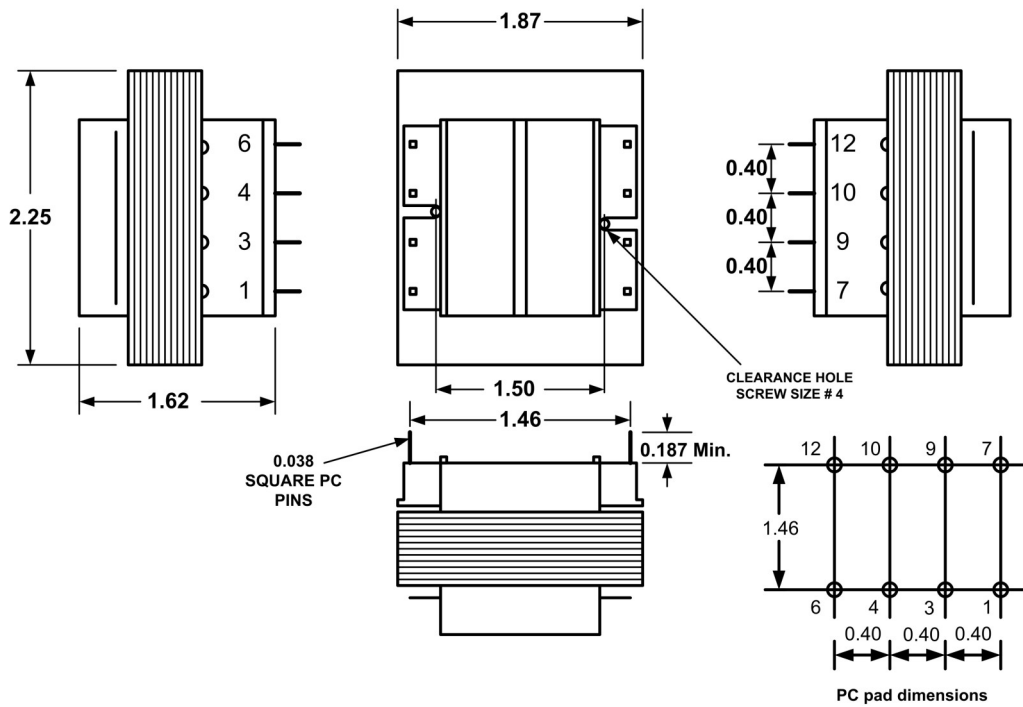


WorldPower™ Series - INTERNATIONAL CLASS 2 POWER TRANSFORMER



1. Electrical Specifications

- A. Maximum Power: 20VA
- B. Input Voltage and Frequency: 115/230V, 50/60Hz
- C. Voltage Regulation: 15% TYP @ full load to no load
- D. Temperature Rise: 50°C TYP
- E. Insulation Resistance: > 1 MEG ohm
- F. Hi-Pot: 4000Vrms 1 minute @ Pri to Sec
4000Vrms 1 minute @ Pri to Core
4000Vrms 1 minute @ Sec to Core

2. Marking: Powervolt, part number (see table), date code, safety Logos, input and output ratings

3. Safety:

UL/cUL 5085-3 Class 2 Recognized (File 246690)
UL 1446 Recognized Insulation System (File 95662)



CLASS 2



Part Number	Secondary Connection	Secondary Fuse
115/230V		
PCL2-20-24	24V @ 0.833A	Inherently Limited - Not Required

	POWER TRANSFORMER WorldPower Series - Class 2		PCL2-20-24	
	CONTENTS OF THIS DRAWING ARE SUBJECT TO CHANGE WITHOUT PRIOR NOTICE		Powervolt, Inc. 300 W. Factory Rd., Addison, IL 60101	
PROPRIETARY NOTICE: THIS DRAWING PRINT OR DOCUMENT AND SUBJECT MATTER DISCLOSED HEREIN ARE PROPRIETARY ITEMS TO WHICH POWERSVOLT RETAINS THE EXCLUSIVE RIGHT OF DISSEMINATION, MANUFACTURE AND SALE. THIS DRAWING, PRINT OR DOCUMENT IS SUBMITTED IN CONFIDENCE FOR CONSIDERATION BY THE RECIPIENT ALONE UNLESS PERMISSION FOR FURTHER DISCLOSURE IS EXPRESSLY GRANTED IN WRITING				
		Dim: Inches	Sheet 1 of 1	